

## PRE-INSTALLATION INFORMATION

WD WD WD  
04 05 06



### Sink specification guidelines

Using a specially designed test method, Dyson engineers tested a wide range of sinks to assess their compatibility with the Dyson Airblade Wash+Dry hand dryer. For recommended sinks, please contact dyson

AU: 1800 426 337 or NZ: 0800 397 667

Porcelain or brushed metal sinks are ideal.

Sinks with highly polished surfaces should be avoided e.g. reflective chrome.

### Tap mounting

The tap stem (measured from the outside diameter) should be mounted 15-40 mm from the outside edge of the sink.

There should be a minimum of 290 mm between a tap centre and a side wall. When multiple taps are installed side-by-side, tap centres should be a minimum of 580 mm apart. This allows sufficient space for mounting the motor bucket, as well as sufficient shoulder room for users.

Fig.1

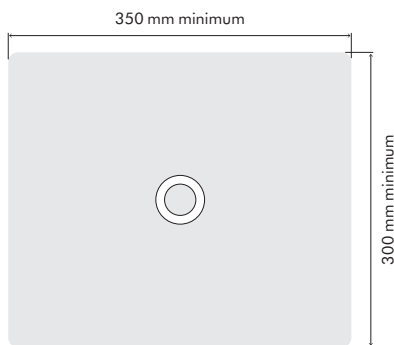


Fig.2

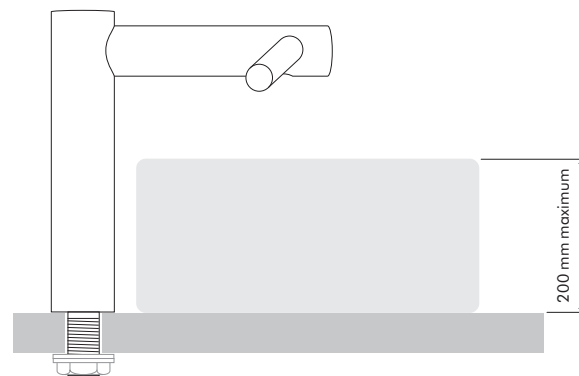
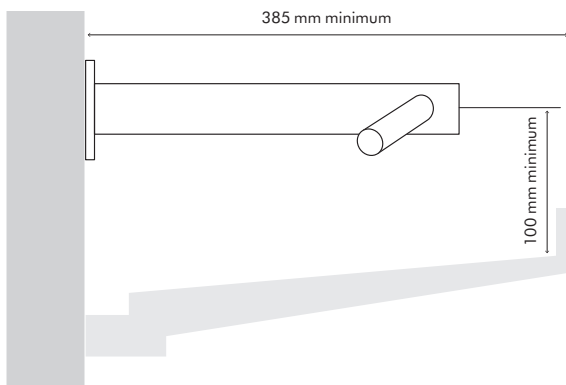


Fig.3



### Sink dimensions (All internal measurements unless otherwise stated)

**Fig.1** Width of sink minimum: 350 mm, Front to back of sink minimum: 300 mm

**Fig.2** Maximum depth of sink for Tall Neck Tap (WD05) only: 200 mm (External measurement of vessel/pedestal sink.)

**Fig.3** Minimum distance from tap centre to top of sink (WD06 only) 100 mm. Front edge of sink (all types – pedestal, recessed, slab) to wall minimum 385 mm.

Internal depth of sink minimum (for all taps): 100 mm

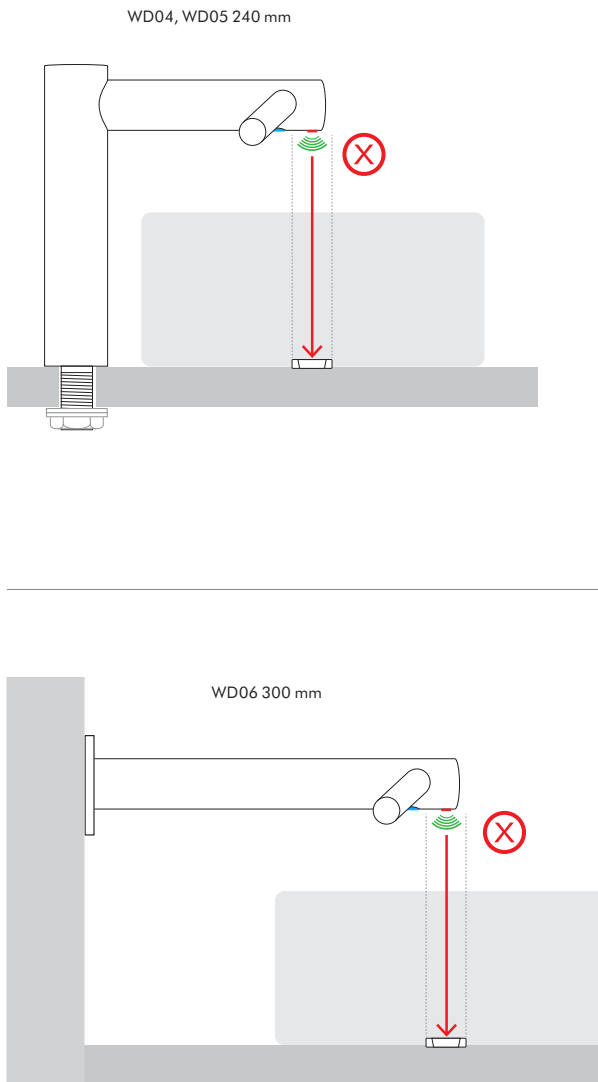
## Tap mounting

Do not place the downward facing water sensor of the tap over a reflective surface, such as the drainage hole. (Fig.4)

For complete instructions, please refer to the printed installation guide supplied with the machine.

It's also available online at [www.dyson.com.au/hand-dryers/useful-documents](http://www.dyson.com.au/hand-dryers/useful-documents)

Fig.4



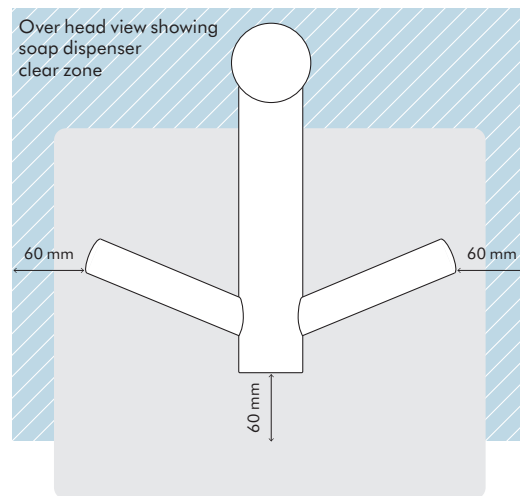
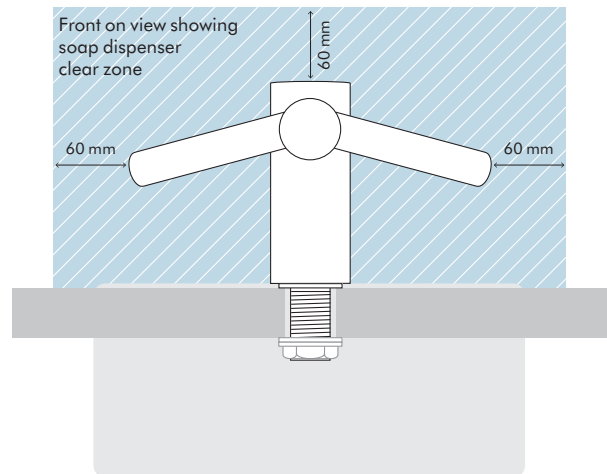
## Soap and locating the soap dispenser

For best user experience, Dyson recommends the use of gel soaps. The infrared sensing zone for air activation extends along each tap branch. In order to prevent accidental activation, it's important to consider the user's hand route to the soap dispenser.

The dispenser should be located at least 60 mm outside the width of the tap, so the user reaches around the side of the branch.

It should also be located at least 60 mm above the branches, so that the sensors are not activated.

Please note that the user may reach diagonally across for the soap, so this path must not go through the sensing zone.



## Water drainage

Due to high velocity air and water being in close proximity, there is a chance of some water and soap dispersion outside the sink dimensions. To alleviate this effect, we recommend following the below guidelines.

## Base profile

Flat base profile will result in poor drainage leading to high levels of splashback.

To improve drainage, avoid sinks with a flat base with particular focus on the immediate area surrounding the drain hole, minimum 60 mm radius (Fig.5).

Fig.5

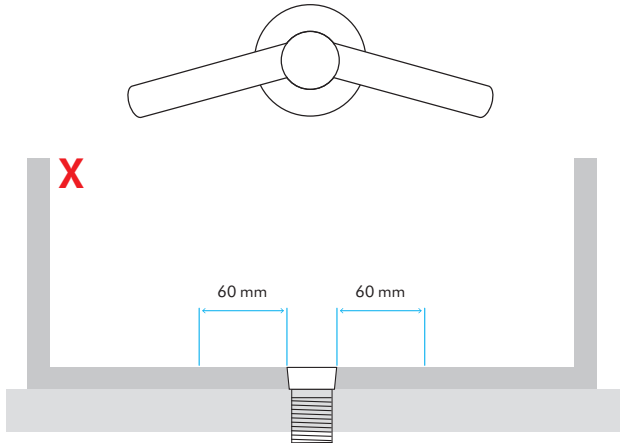
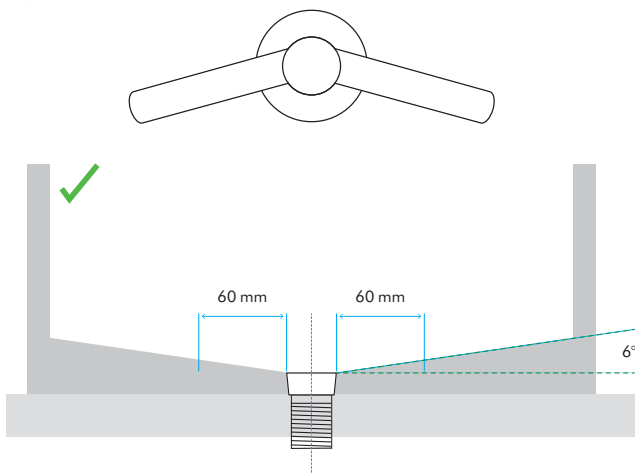


Fig.6

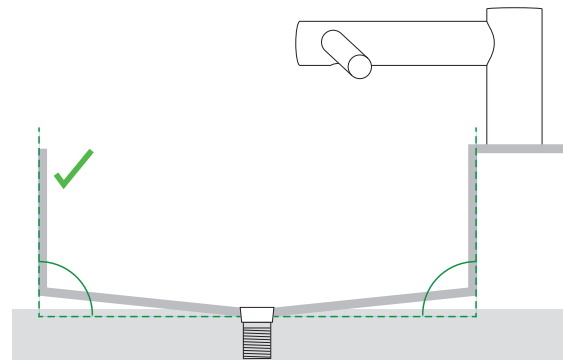


Minimum of 6° ramp angle from the edge of the drain hole of the sink will result in good drainage leading to reduced levels of splashback (minimum 60 mm radius).

## Base to back and front wall transition

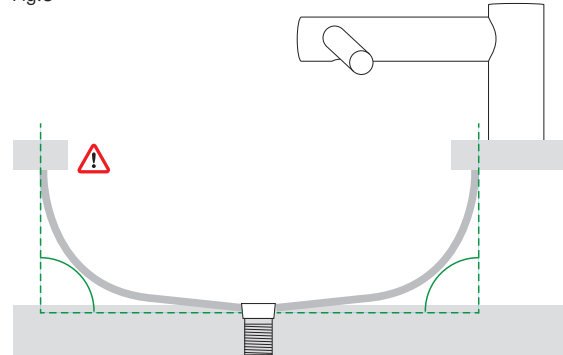
The base to back and front wall transition should also be considered. The back wall should be as close to 90°, and at as sharp a radius as possible (Fig.7). Curved geometry is more likely to increase splashback, whereas sloping back and front wall transitions should be avoided (Fig.8 & 9).

Fig.7



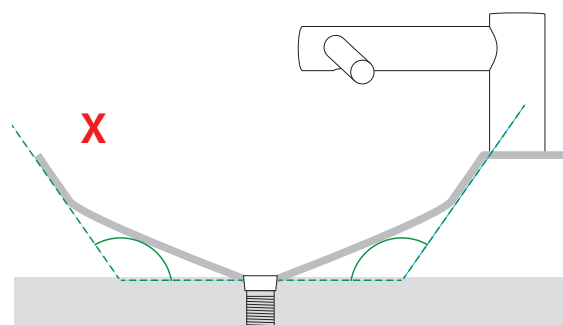
Vertical and sharp transition

Fig.8



Vertical and smooth transition

Fig.9



Sloped transition, especially on square or rectangular sinks

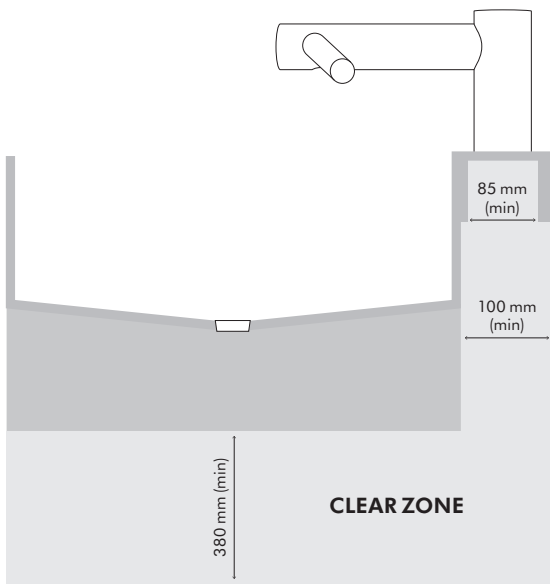
# dyson airblade wash+dry

WD WD WD  
04 05 06

## Sink access guidelines

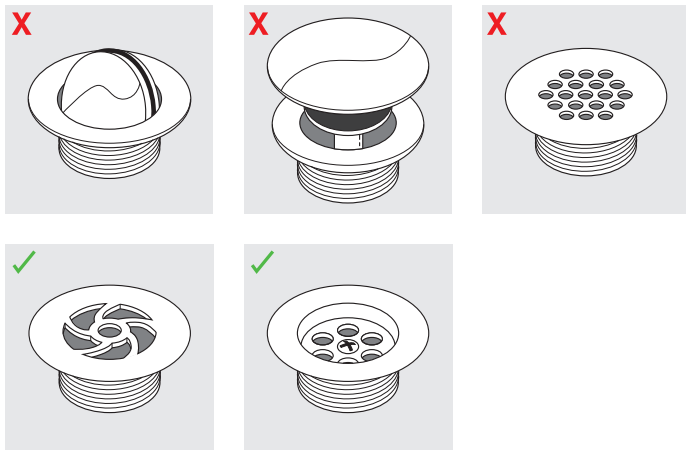
It is recommended that the following guidelines are followed to ensure there is sufficient access under the sink to allow for servicing and installation to take place (Fig.10).

Fig.10



## Plug hole

Plug holes with the most open aperture are recommended, whereas grill or perforated type plug holes should be avoided as they restrict the drainage of soapy water (lather). Do not use plugs within the plug holes in sinks.



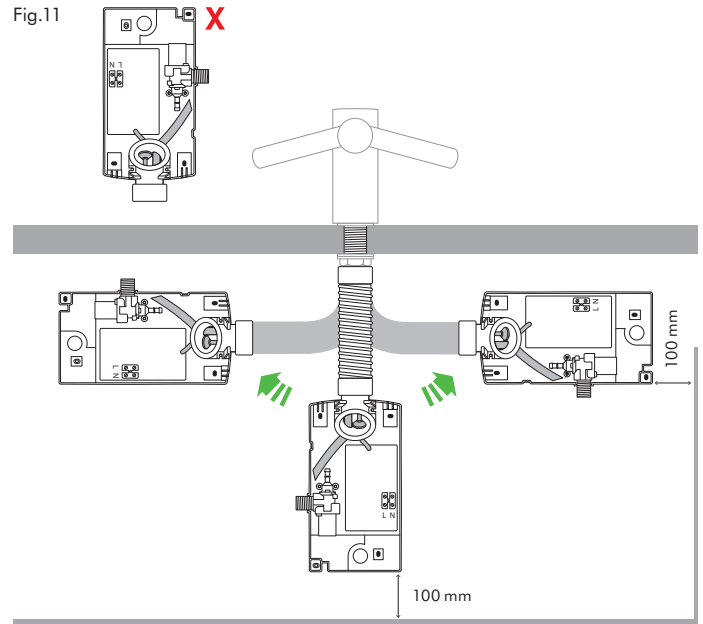
## Mounting the motor bucket (WD04/WD05)

Ensure 100 mm minimum clearance from bottom of motor bucket to floor/wall.

The motor bucket cannot be mounted upside down or installed above the sink.

Only the following is advised (Fig.11).

Fig.11



# dyson airblade wash+dry

WD WD WD  
04 05 06

## Installing WD06

The WD06 Dyson Airblade Wash+Dry hand dryer is designed so that the motor unit is located behind a stud wall within a metal enclosure which is supplied with the Dyson Airblade Wash+Dry hand dryer (Fig.12). The vertical wall studs must be constructed so as to allow the metal enclosure to be fitted between them (Fig.13). One of the horizontal wall studs must be fitted a) so it holds the main weight of the metal duct and the unit, and b) so it is in the correct position for the tap stem.

For complete instructions, please refer to the printed installation guide supplied with the machine.

It's also available online at [www.dyson.com.au/hand-dryers/useful-documents](http://www.dyson.com.au/hand-dryers/useful-documents)

Fig.13

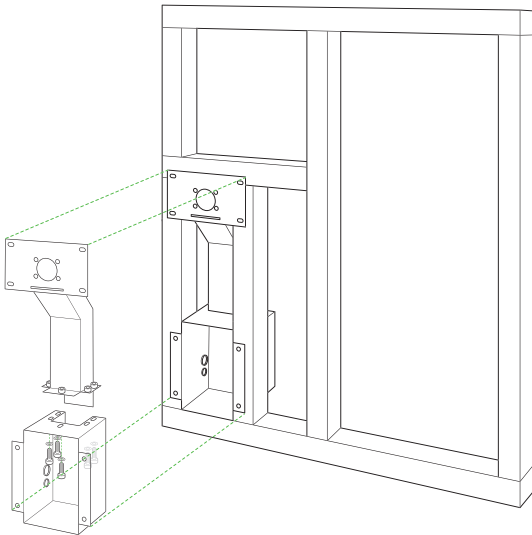
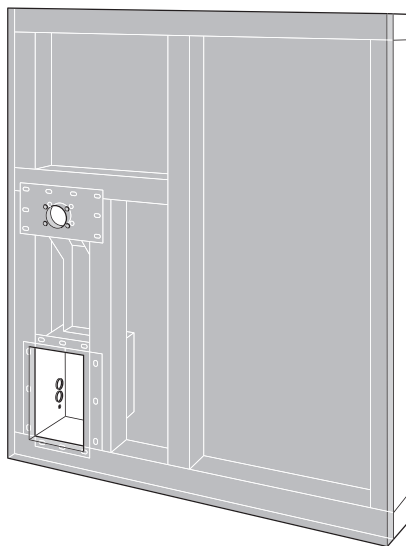


Fig.14

Install plasterboard.



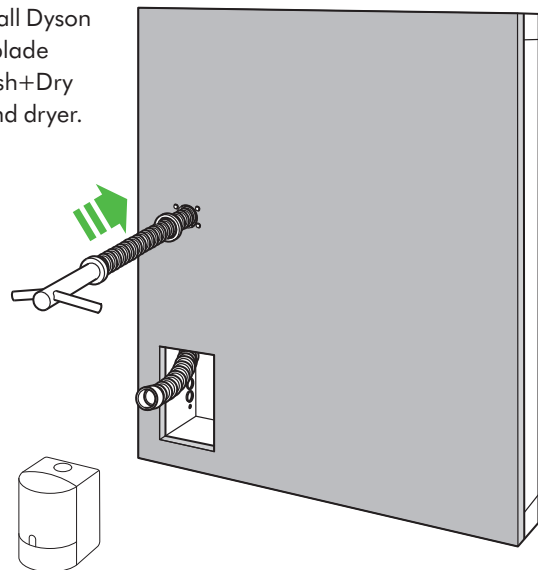
## WD06 metal enclosure assembly

Fig.12



Fig.15

Install Dyson Airblade Wash+Dry Hand dryer.

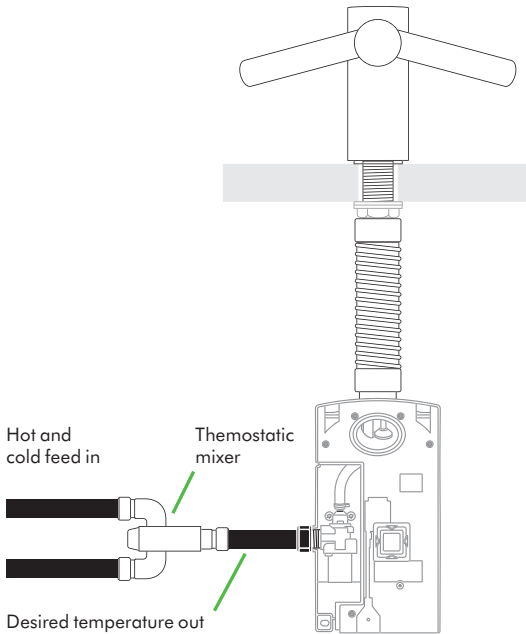


# dyson airblade wash+dry

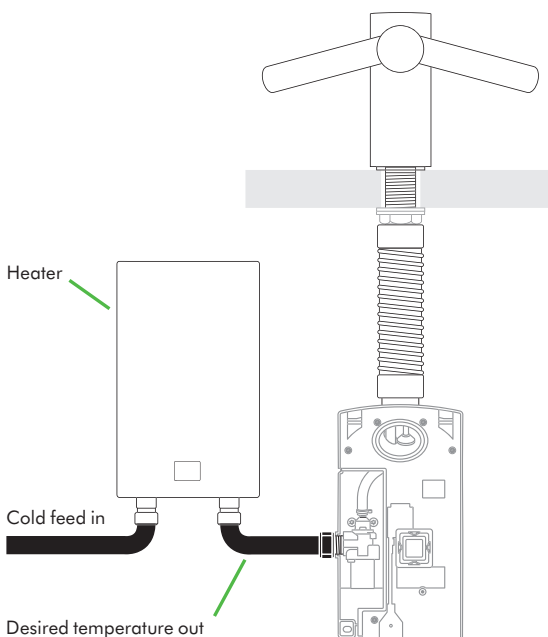
WD WD WD  
04 05 06

## Water temperature control

If you are connecting a hot and cold water feed you will need to install a thermostatic mixer.



If connecting to cold only water feed you will need to install a heater.



## Abusive testing

The tap has undergone rigorous abusive testing to ensure that it can withstand substantial forces and impacts typical of a commercial and public bathroom environment.

## Tools required

To install this unit you will need (4) screws, and appropriate fittings  
Torx T15 screw driver – long handle  
Electrical drill with 35 mm drill bit  
4 wall plugs (check suitability for wall type)  
7 mm flat head screwdriver  
Flat terminal block screwdriver  
37 mm Box spanner  
Sharp knife/blade  
Pan head screws, 5 mm in diameter, toggle or masonry type  
Conduit as per local electrical regulations

## Electrical

Input voltage/Frequency: 200-240V 50 & 60Hz  
Isolated by switch fuse spur or RCD as appropriate  
Current 6.6 A  
Cable specification: 3 core PVC 1.5 mm cross sectional area  
Local electrical regulations must be adhered to when installing or repairing the product  
Rated power: 1000 W  
Operating temperature range: 0° – 40°C  
Standby power consumption: Less than 0.5 W

## Water operation

Water flow rate: 1.9 l/min normal fitted aerator  
4 l/m with low flow aerator supplied with product  
Water temperature control: There is no in-built function to change the temperature of the water. The use of a Thermostatic mixer or heater (not included) is recommended.  
Water pressure required: 1-8 bar  
1 1/2" BSP isolated valve required for service  
Maximum altitude: 2,300 metres

## Water supply cleanliness and biological growth

In some countries there are regulations or guidelines that require temperature controlled water supply systems (such as that supplied to the Dyson Airblade Wash+Dry hand dryer) to be subjected to regular cleaning to minimise any biological growth.

To enable you to meet these regulations, the Dyson Airblade Wash+Dry hand dryer has been designed and tested to withstand internal cleaning both with hot water up to 95°C and with sodium hypochlorite at a concentration of 0.45%.

Please refer to specific (market) regulations and water supply system recommendations for information on cleaning regimes for water supply cleanliness and biological growth for your country.

When carrying out internal cleaning of the Dyson Airblade Wash+Dry hand dryer, please be aware of any safety considerations when using hot water or chemicals. Dyson will not be responsible for any injury caused by this process.

For further information please contact Dyson.  
AU: 1800 426 337 AUCommercial@dyson.com  
NZ: 0800 397 667 NZCommercial@dyson.com