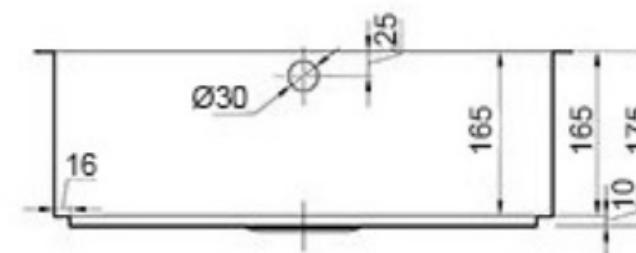
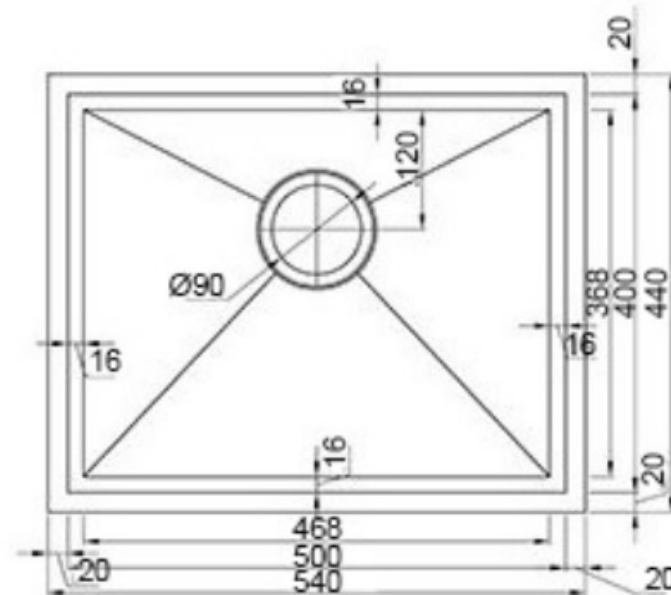


## ANTEGRA 500-16



**AUSTARON**  
SURFACES

AUS: 17/30 Heathcote Rd, Moorebank NSW 2170  
 NZ: 94 Nevay Rd, Karaka Bays Wellington 6620  
 phone: 02 9822 7055  
 email: sales@austaron.com.au  
 web: austaron.com.au

TITLE **ANTEGRA SINK COLLECTION**  
**Antegra 500-16**

DWG NO.  
 Antegra 500-16 DXF

**ADDITIONAL DETAILS**

W: 540mm  
 D: 440mm  
 H: 175mm

COLOUR AVAILABILITY: Stainless Steel, Gold Brass,  
 Copper & Gunmetal