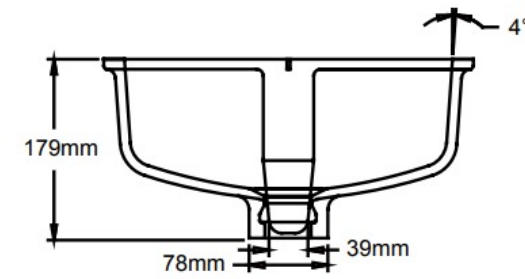
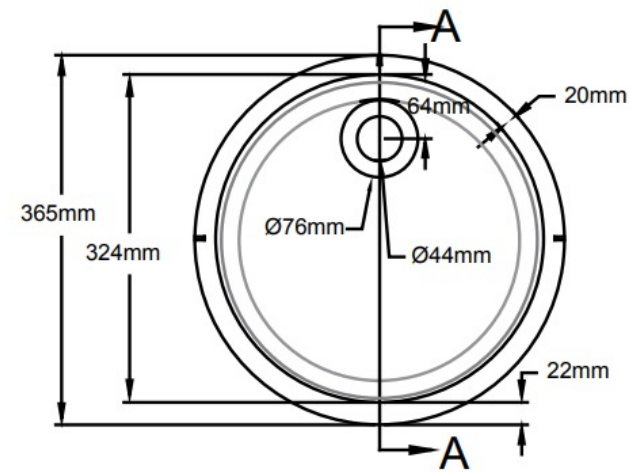




Manufactured by Gemstone in the U.S.A



AUSTARON
SURFACES

AUS: 17/30 Heathcote Rd, Moorebank NSW 2170
 NZ: 94 Nevay Rd, Karaka Bays Wellington 6620
 phone: 02 9822 7055
 email: sales@austaron.com.au
 web: austaron.com.au

TITLE **REFINE BASIN COLLECTION**
Refine 1313-V (Accessible Design)

DWG NO.
 1313-V DXF

ADDITIONAL DETAILS

W: 365mm
 D: 365mm
 H: 179mm

COLOUR AVAILABILITY: Alpine White