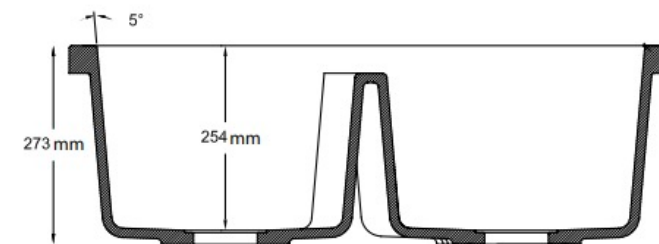
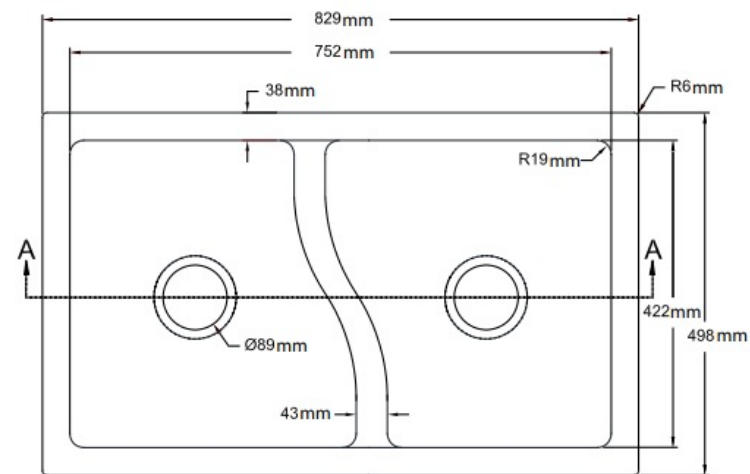




Manufactured by Gemstone in the U.S.A



AUSTARON
SURFACES

AUS: 17/30 Heathcote Rd, Moorebank NSW 2170
 NZ: 94 Nevay Rd, Karaka Bays Wellington 6620
 phone: 02 9822 7055
 email: sales@austaron.com.au
 web: austaron.com.au

TITLE **REFINE SINK COLLECTION**
Refine F2033-D

DWG NO.
 F2033-D DXF

ADDITIONAL DETAILS

W: 829mm
 D: 498mm
 H: 273mm

COLOUR AVAILABILITY: Bright White