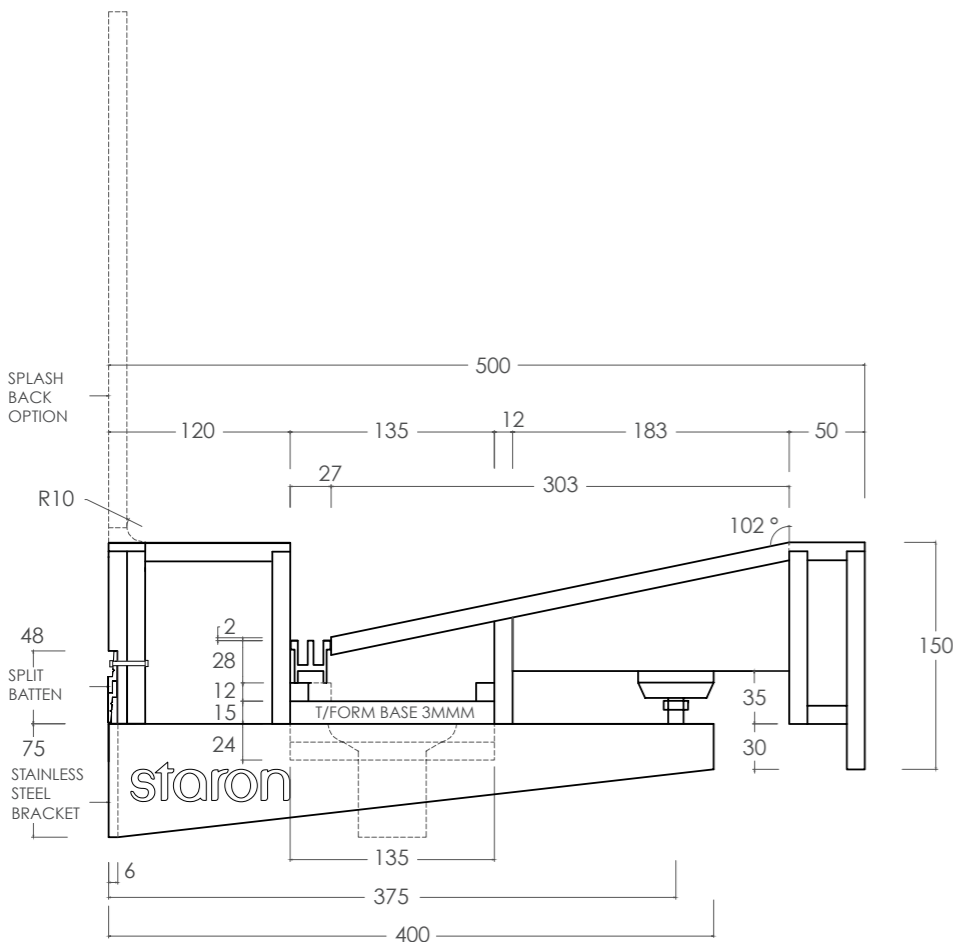


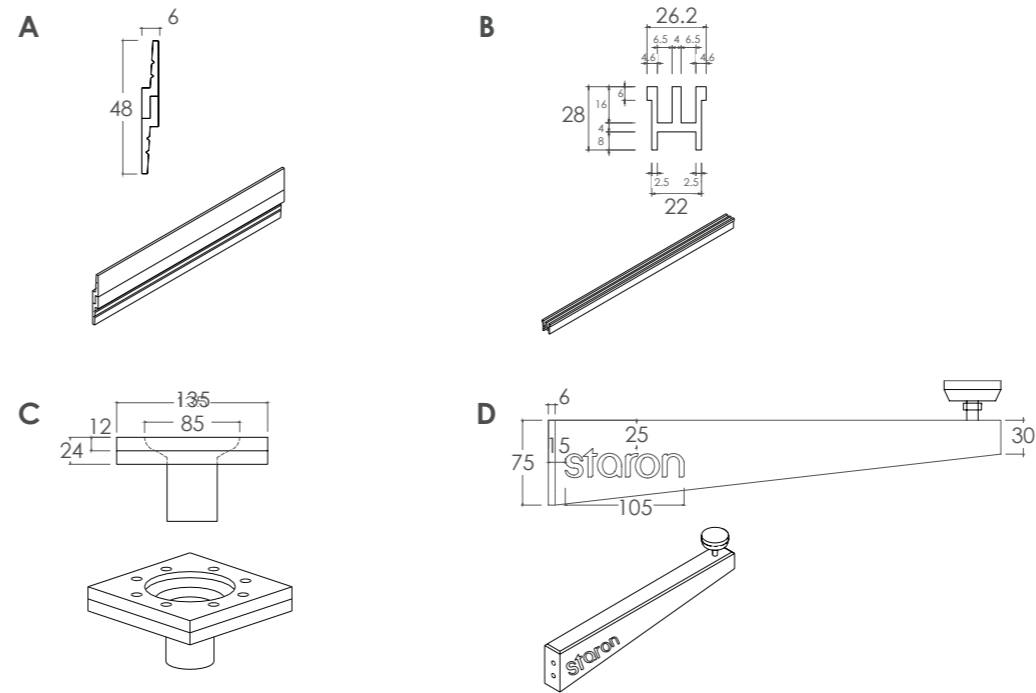
PLAN SCALE 1:10 A3



SECTION SCALE 1:5 A3

STARON SUPPLIED COMPONENTS

Components only available for use with Staron designs.



- A** STAINLESS STEEL SPLIT BATTEN - For securing washplane to wall
- B** ALUMINIUM GRATE - Aids easy cleaning & prevents jewellery loss
- C** WASTE OUTLET ASSEMBLY - Simple disassembly allows plumbing access
- D** STAINLESS STEEL BRACKET - Each bracket provides 100kg support

FABRICATION AND INSTALLATION

- Manufacture as per fabrication requirements
- Recommended 1 waste outlet for every 2 taps
- Weight of unit approx. 40kg per lineal metre
- Builder to ensure suitable wall strength to support



COLOUR: Staron Supreme Dawn

SPECIFICATION DETAILS

- Australian designed
- Fabricated in every state
- STARON:
 - 2/3 natural mineral and 1/3 acrylic
 - Silica and polyester FREE
 - Greenguard & Greenguard Gold certified
 - 10 Year Warranty
- Unit available in all Staron colours, including mixed combinations
- Aluminium grate supplied in:
 - satin silver grey
 - satin black
 - mill finish (allowing further custom anodising/powder coating)
- All dimensions flexible
- Adapt design to suit joinery units
- Modify form to accommodate:
 - disability rails
 - parcel shelves
 - towel/soap dispensers



AUS: 17/30 Heathcote Rd Moorebank NSW 2170
 NZ: 94 Nevay Rd, Karaka Bays Wellington 6620
 phone: 02 9822 7055
 email: sales@austaron.com.au
 web: austaron.com.au



TITLE **STARON GRADIENT 1P**
 SOLID SURFACE WASHPLANE - FLEXIBLE DIMENSIONS

DWG NO. STARON EXAMPLE - 001

DRAWN IV

DATE 01.01.20

CHK'D AS

DO NOT SCALE DRAWING

SHEET 5 OF 5

A3

DESIGN REMAINS PROPERTY OF AUSTARON SURFACES AND CAN ONLY BE USED WHEN SPECIFYING STARON SOLID SURFACE.

Architect to determine design suitability.

Contact your Staron representative for any colour samples or technical information.