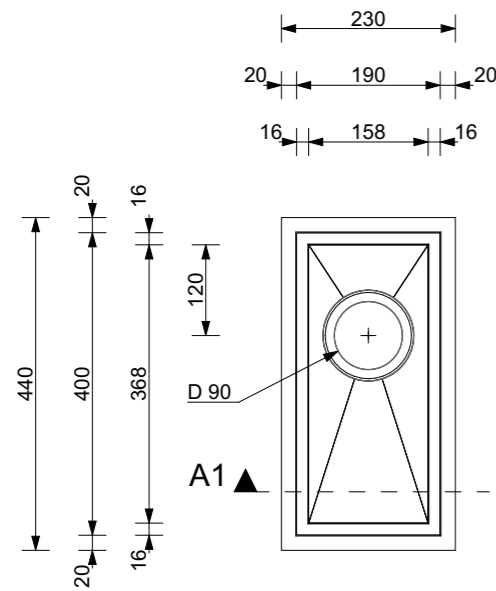
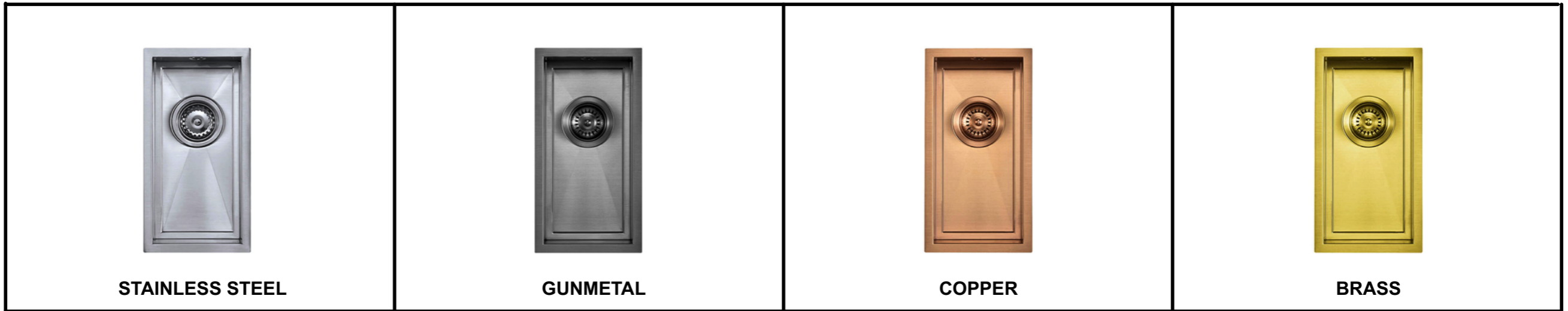
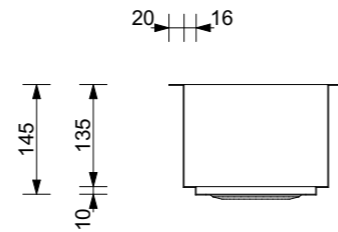


# ANTEGRA 190-16

**COLOUR**



PLAN VIEW



SECTION A1

